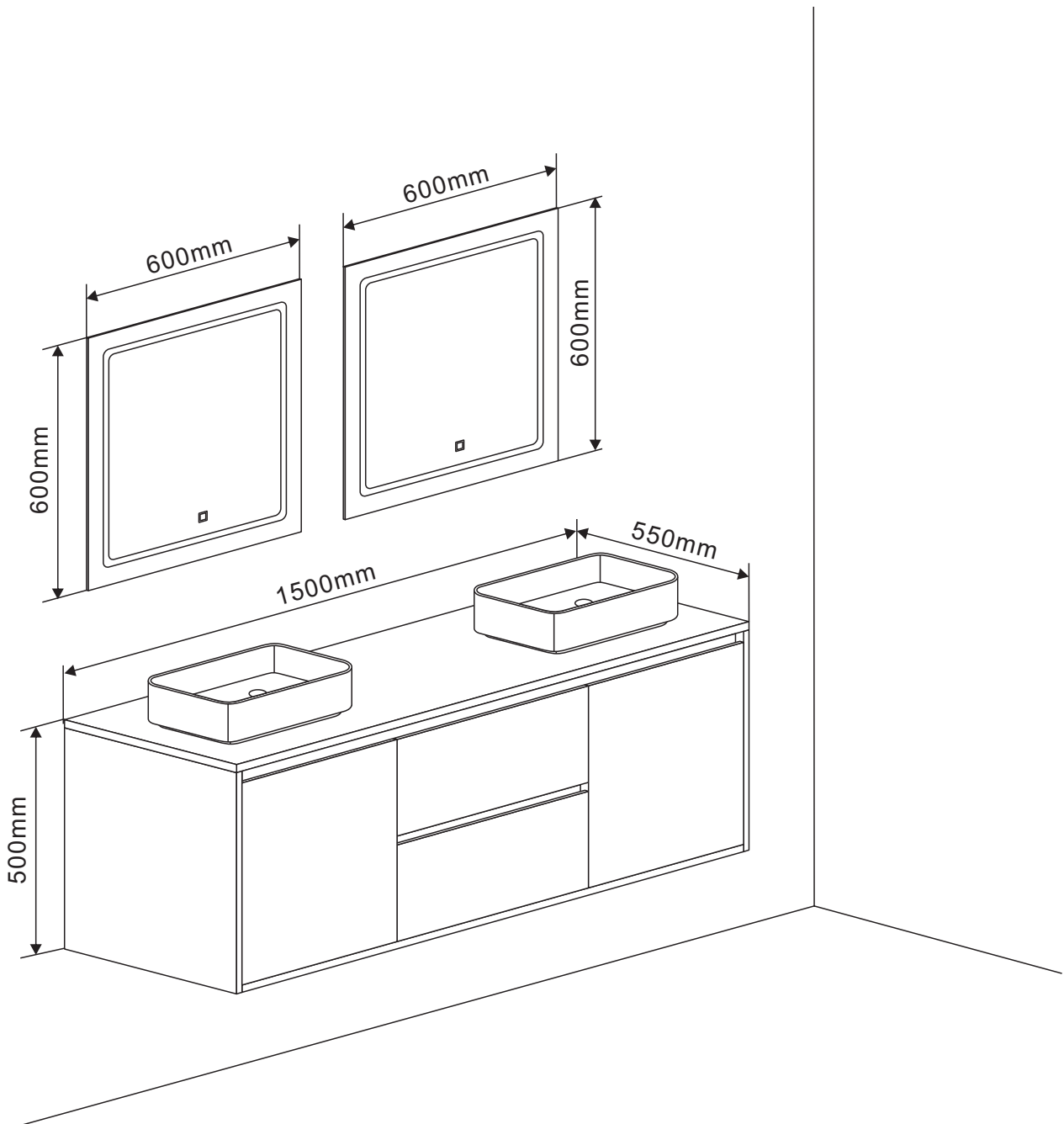


# DM-150

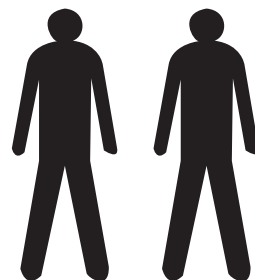
## INSTALL INSTRUCTION



# TOOLS REQUIRED

when you're ready to start. Make sure that you have the following tools to hand, plenty of space and a clean dry area for assembly.

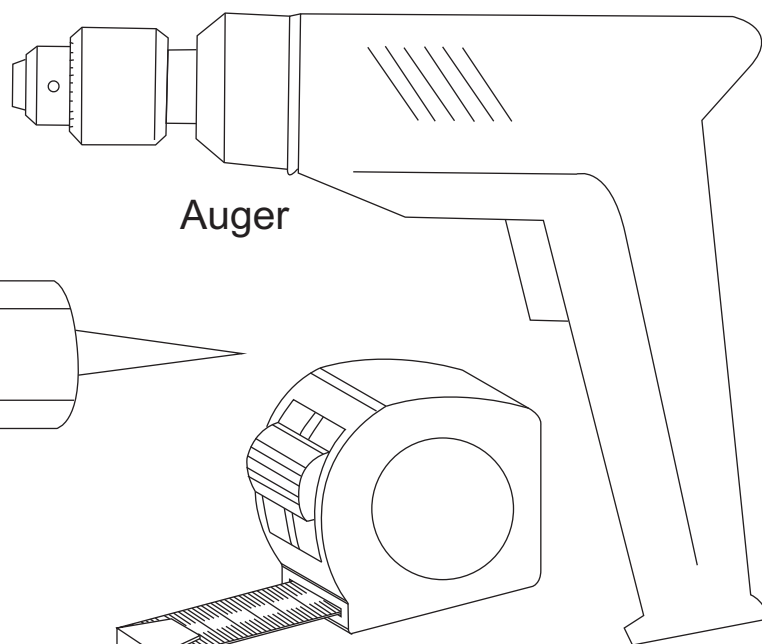
Two people are needed. Please note: although these instructions are comprehensive, we always recommend that a technically competent installer should undertake installation.



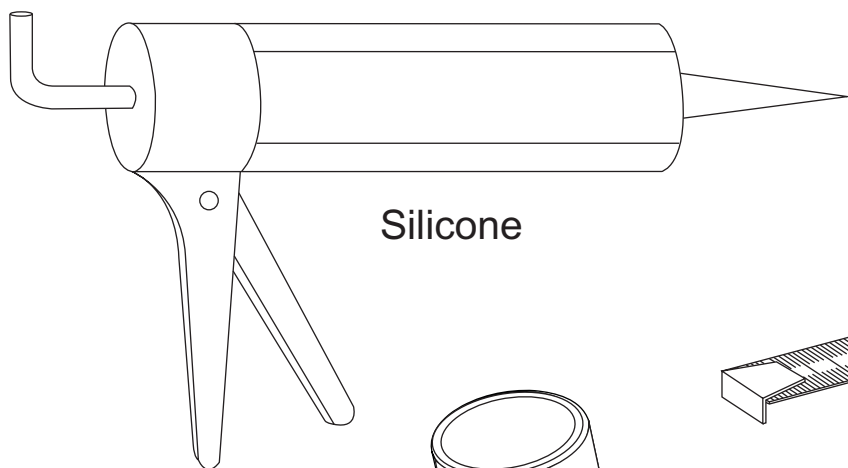
Drill bit head 10mm



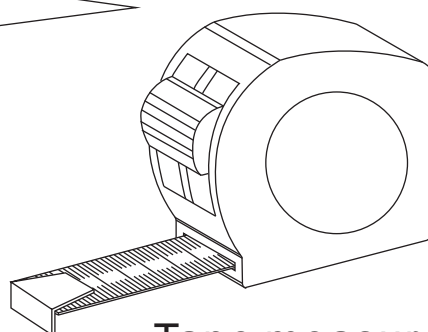
Drill bit head 8mm



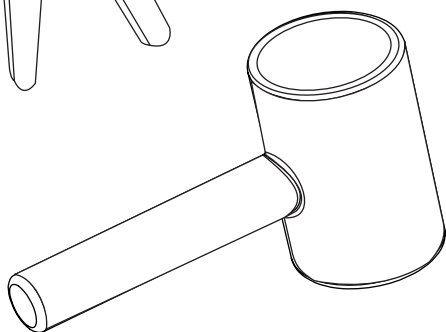
Auger



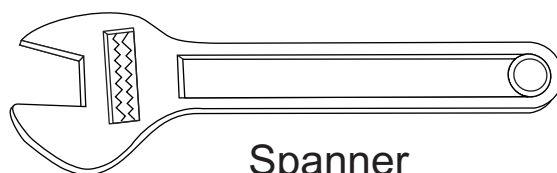
Silicone



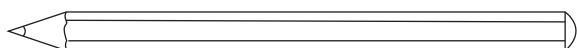
Tape measure



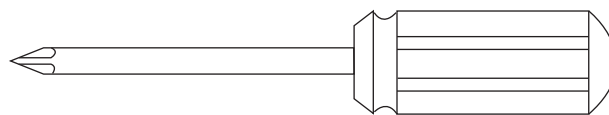
Rubber Mallet



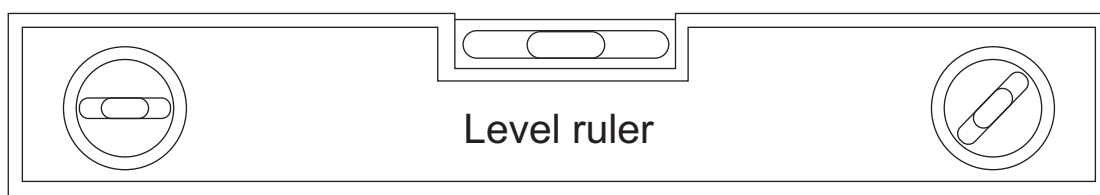
Spanner



Pencil

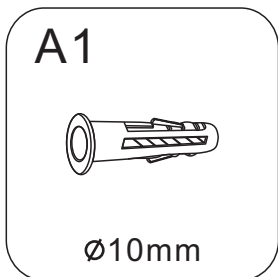
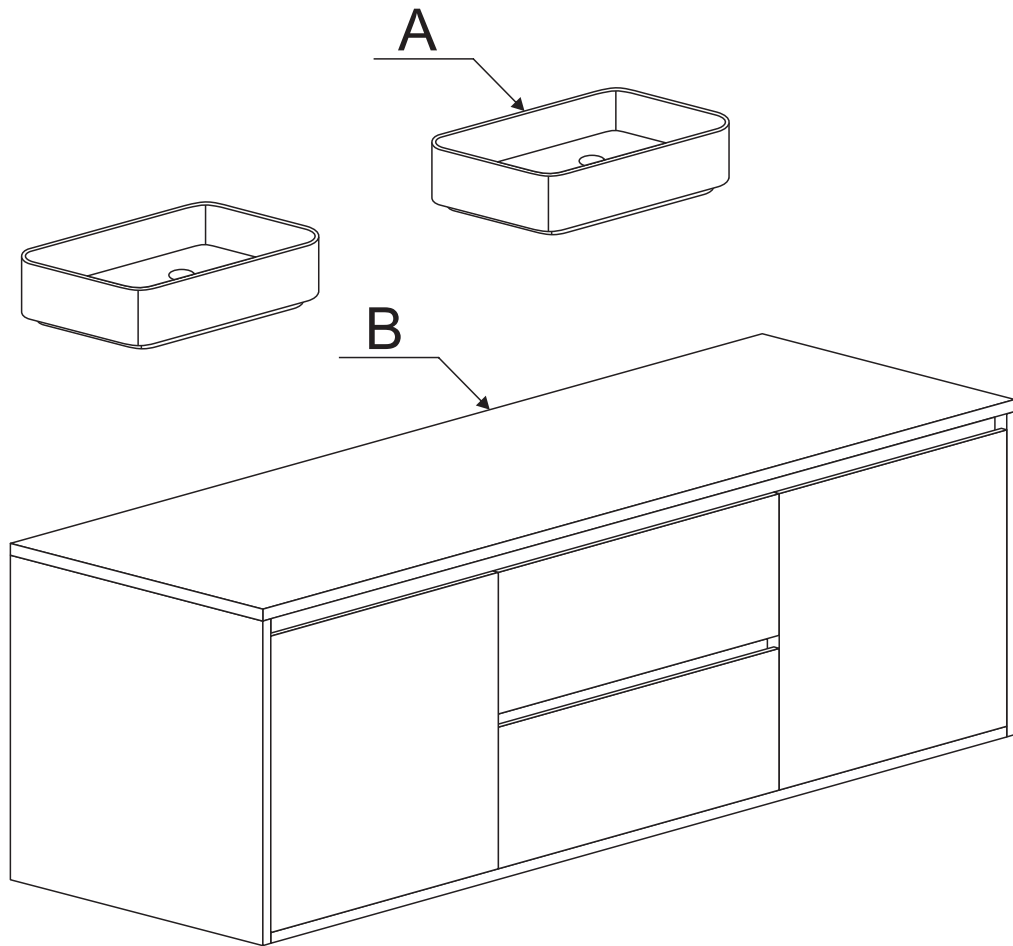


Magnetic crosshead screwdriver

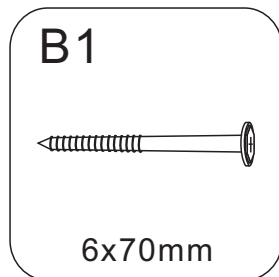


Level ruler

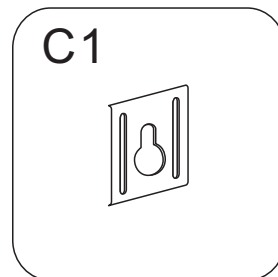
# Cabinet



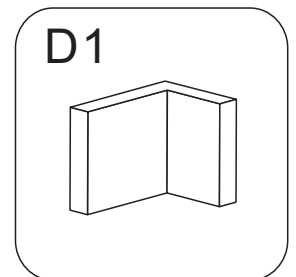
PCS6



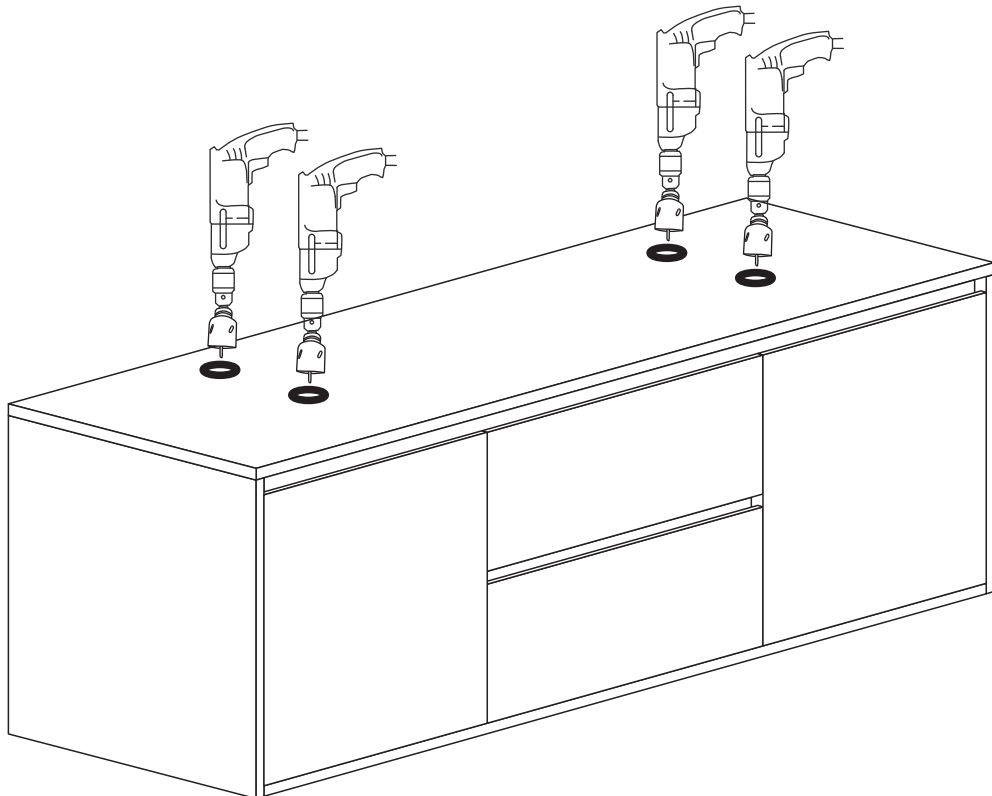
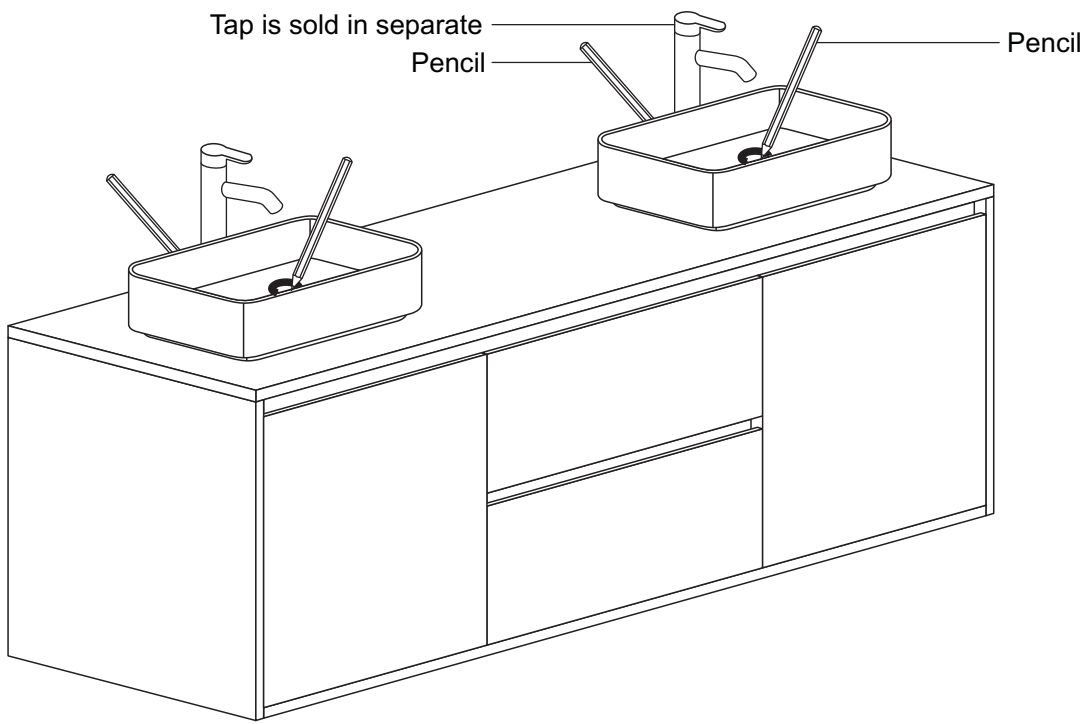
PCS6



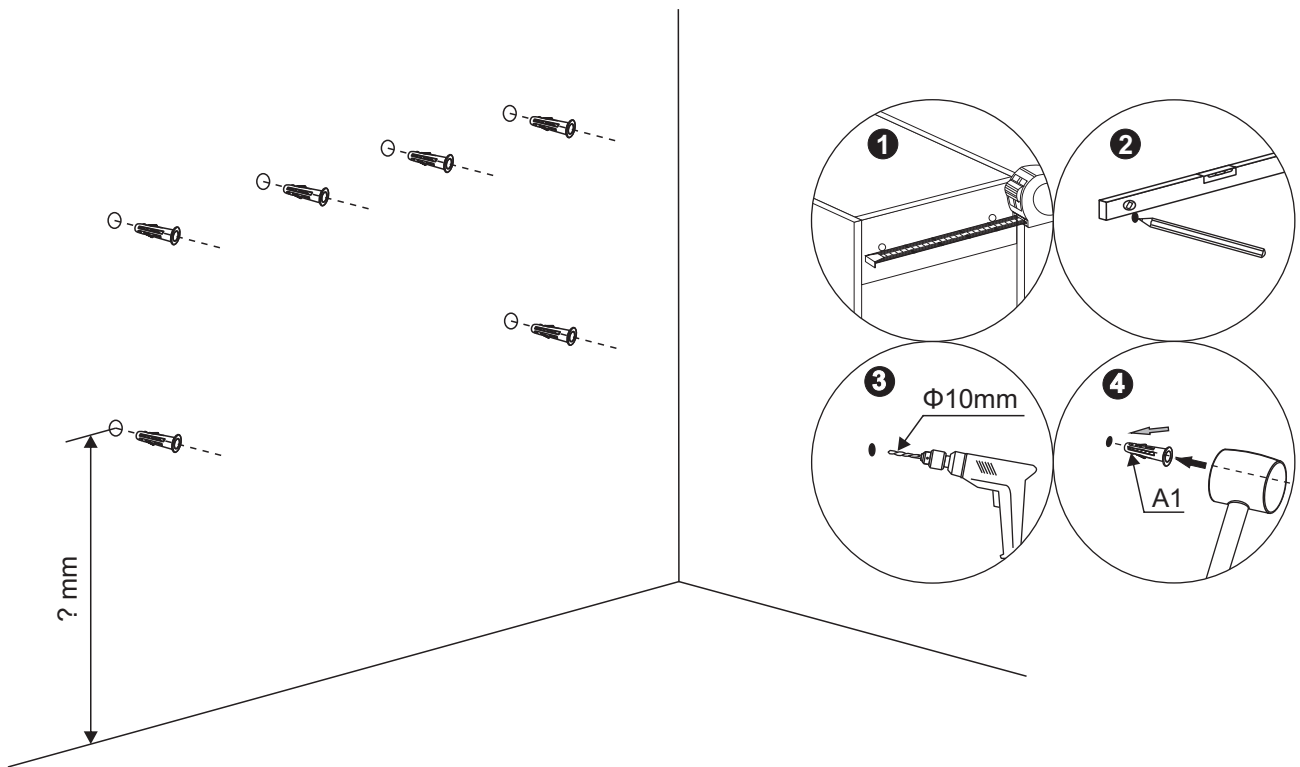
PCS6



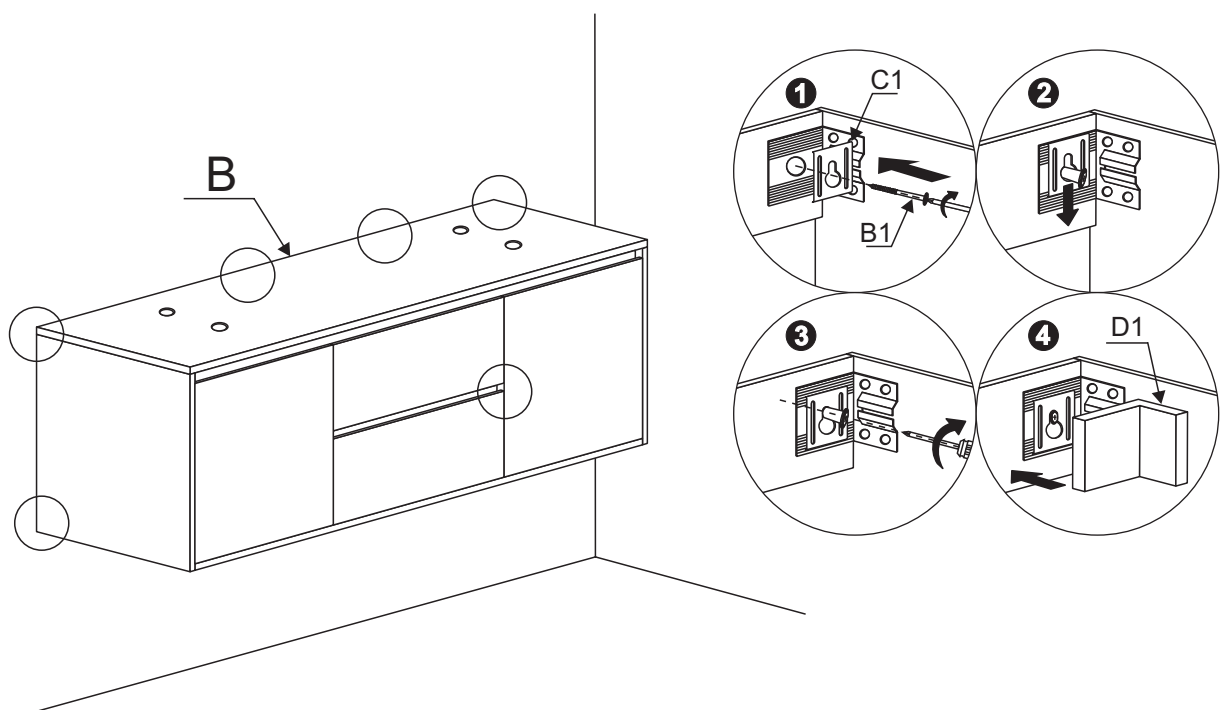
PCS6

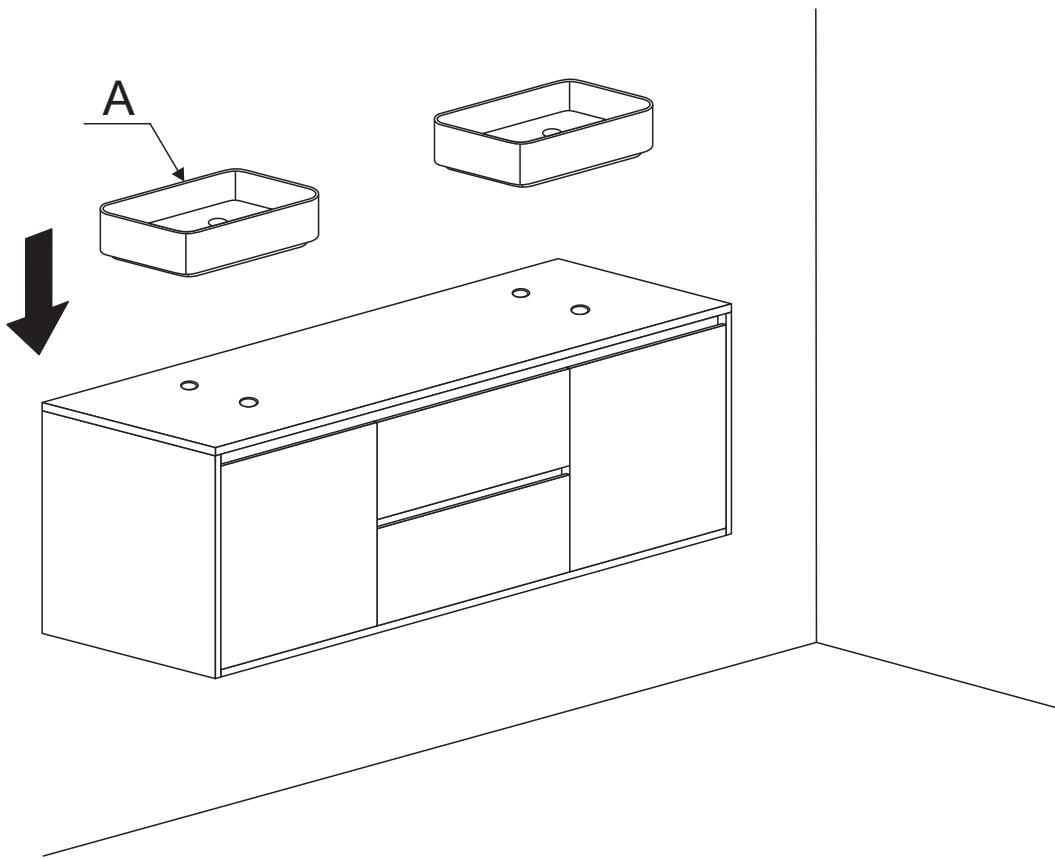


Choose a place you want to install the furniture, mark on the wall with a pencil according to the length and height of the furniture. Then drill holes on the wall with  $\Phi 10\text{mm}$  drilling.

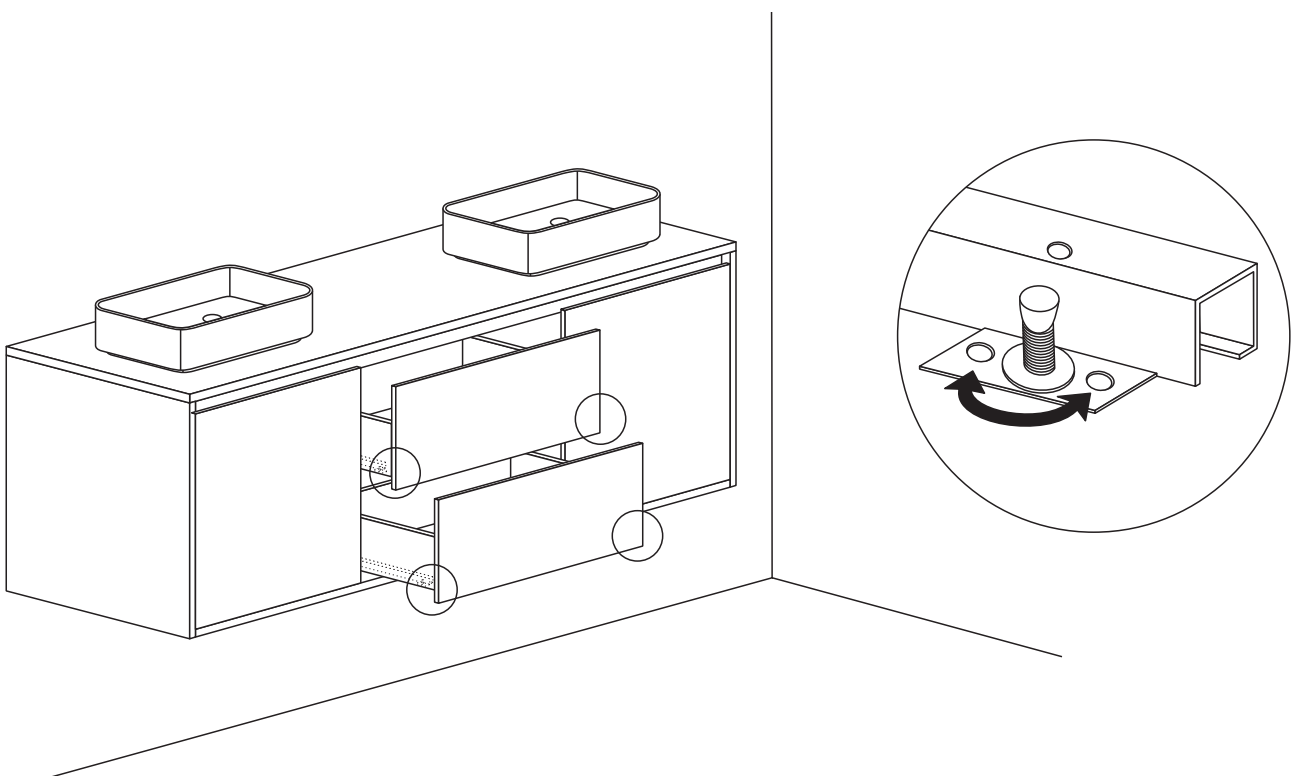


"?" you can adjust as you need.

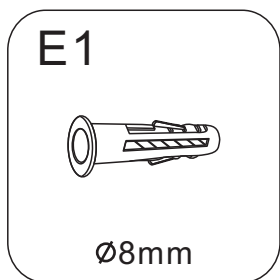
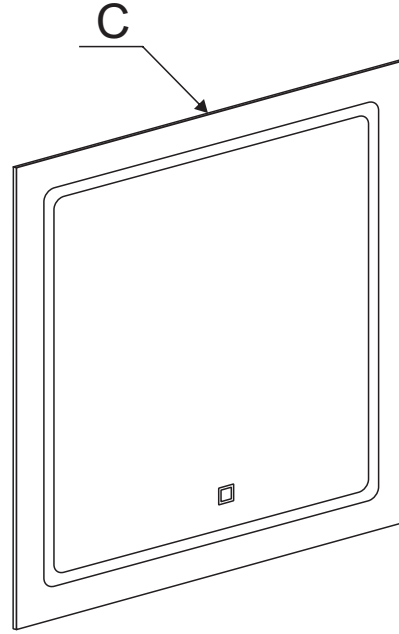
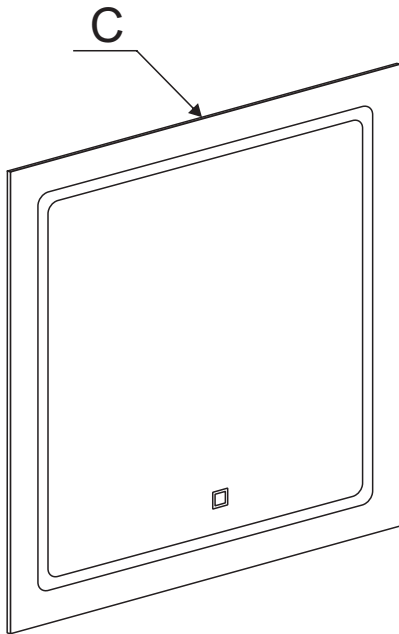




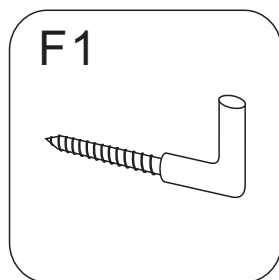
Maybe you will find the drawers is not flat after you finish installation. In this case, you can adjust the drawers by yourself. You can see there is a gasket beside the sliding rail. If you want the drawer upside, then rotate the gasket counterclockwise slightly, if you want the drawer downside, then rotate the gasket clockwise slightly.



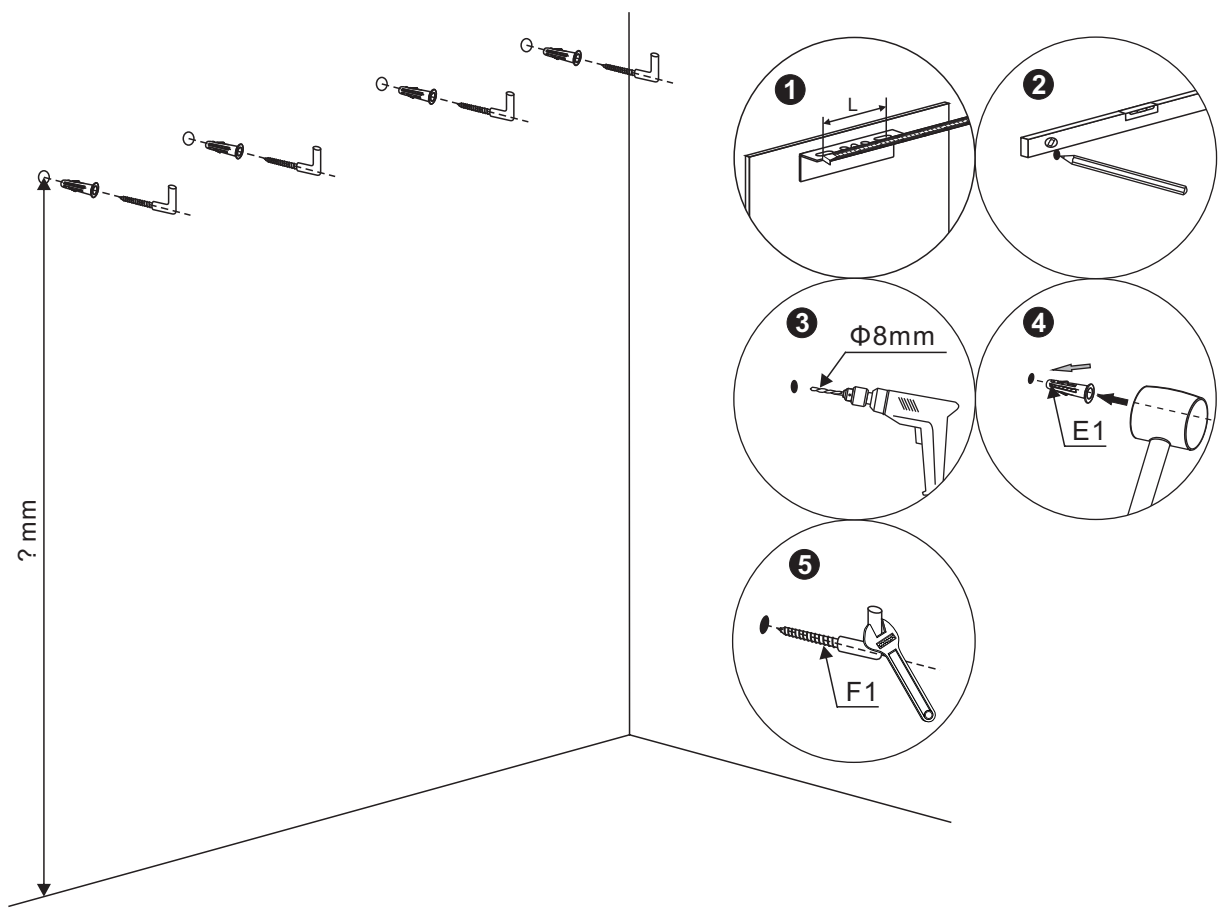
# Mirror



PCS4



PCS4



“?” you can adjust as you need.

